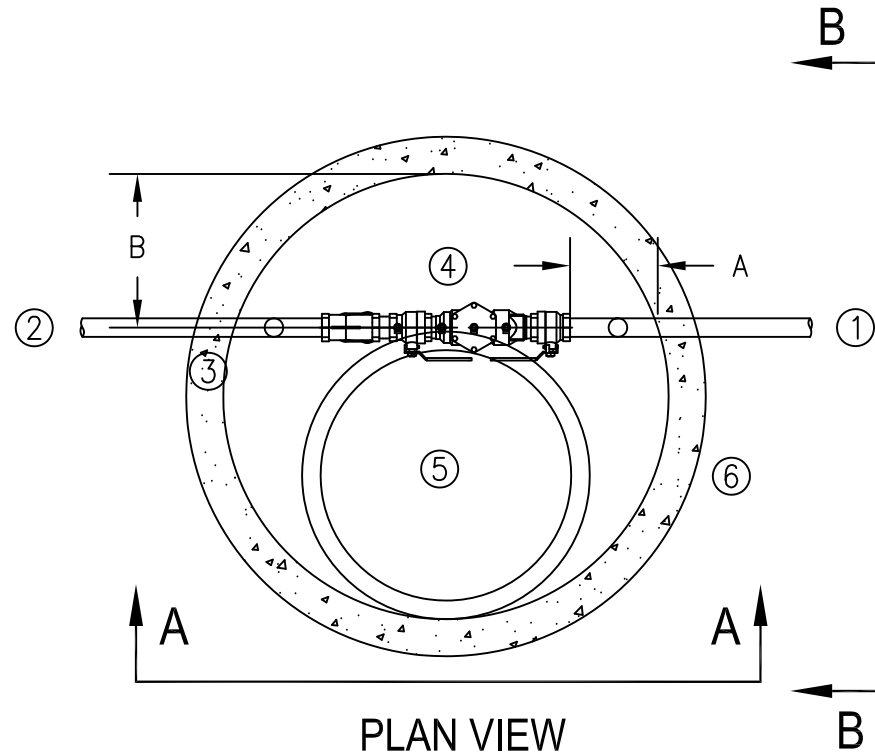


BACKFLOW MANHOLE DETAIL 2" AND SMALLER



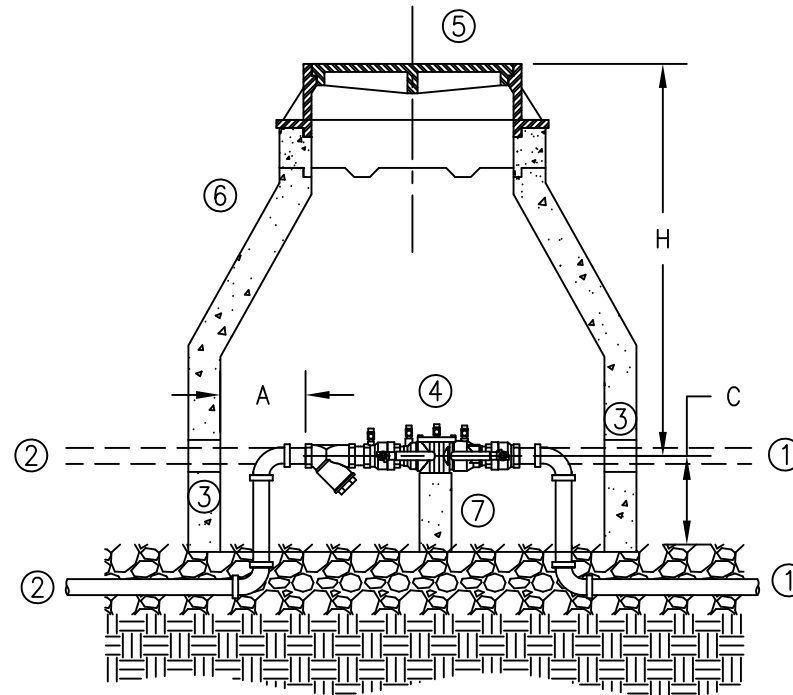
NOTES:

- | | |
|--|--|
| <ul style="list-style-type: none"> 1 INLET 2 OUTLET 3 PIPE TO MANHOLE CONNECTION, IF REQUIRED 4 DOUBLE CHECK VALVE BACKFLOW ASSEMBLY 5 27" MANHOLE RING AND LID 6 4' DIA. CONCRETE PRECAST ECCENTRIC MANHOLE CONE
DESIGN BY OTHERS | <ul style="list-style-type: none"> A CLEAR DISTANCE, 12" MINIMUM B CLEAR DISTANCE, 18" MINIMUM |
|--|--|

OPTIONS FOR INLET AND OUTLET INSTALLATION

- A CORE DRILL MANHOLE AND USE FLEXIBLE GASKET FOR PIPE TO MANHOLE CONNECTION
- B INSTALL PIPE A MINIMUM OF 6" BELOW WALL AND USE FITTINGS INTO MANHOLE

BACKFLOW MANHOLE DETAIL 2" AND SMALLER



SECTION A-A

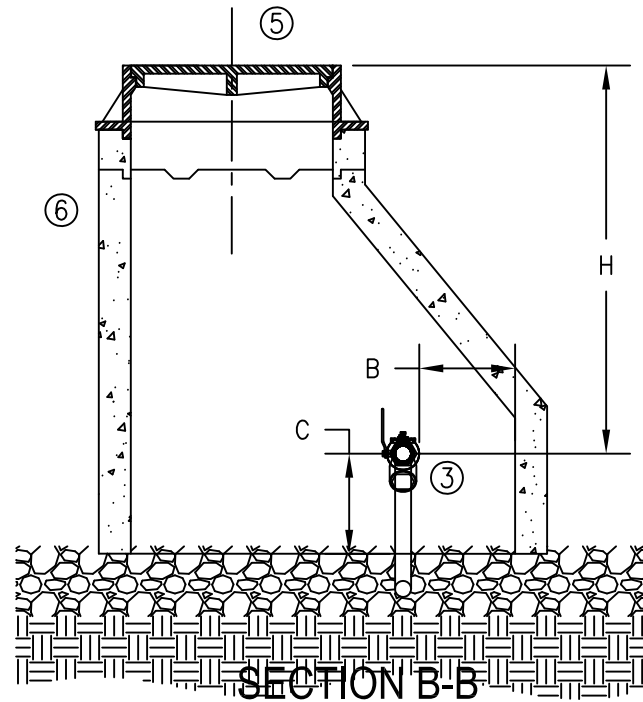
NOTES:

- | | | | |
|---|---|---|-----------------------------|
| 1 | INLET | A | CLEAR DISTANCE, 12" MINIMUM |
| 2 | OUTLET | C | CLEAR DISTANCE, 12" MINIMUM |
| 3 | PIPE TO MANHOLE CONNECTION, IF REQUIRED | H | 42" MINIMUM |
| 4 | DOUBLE CHECK VALVE BACKFLOW ASSEMBLY | | |
| 5 | 27" MANHOLE RING AND LID | | |
| 6 | 4' DIA. CONCRETE PRECAST ECCENTRIC MANHOLE CONE | | |
| 7 | CONCRETE PIPE SUPPORT, IF REQUIRED | | |

OPTIONS FOR INLET AND OUTLET INSTALLATION

- A CORE DRILL MANHOLE AND USE FLEXIBLE GASKET FOR PIPE TO MANHOLE CONNECTION
 B INSTALL PIPE A MINIMUM OF 6" BELOW WALL AND USE FITTINGS INTO MANHOLE

BACKFLOW MANHOLE DETAIL 2" AND SMALLER



NOTES:

- | | | | |
|---|---|---|-----------------------------|
| 3 | PIPE TO MANHOLE CONNECTION, IF REQUIRED | B | CLEAR DISTANCE, 18" MINIMUM |
| 5 | 27" MANHOLE RING AND LID | C | CLEAR DISTANCE, 12" MINIMUM |
| 6 | 4' DIA. CONCRETE PRECAST ECCENTRIC MANHOLE CONE
DESIGN BY OTHERS | H | 42" MINIMUM |

OPTIONS FOR INLET AND OUTLET INSTALLATION

- A CORE DRILL MANHOLE AND USE FLEXIBLE GASKET FOR PIPE TO MANHOLE CONNECTION
 B INSTALL PIPE A MINIMUM OF 6" BELOW WALL AND USE FITTINGS INTO MANHOLE