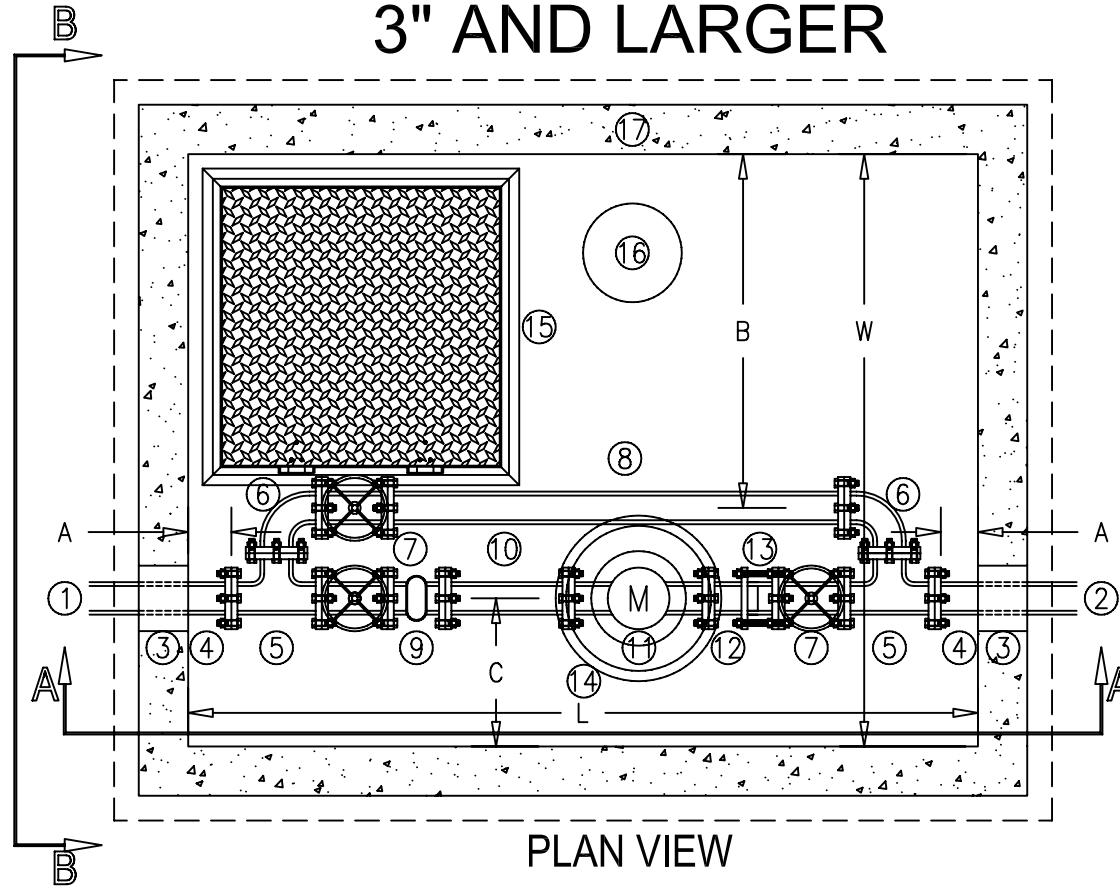


# METER VAULT DETAIL 3" AND LARGER



## NOTES:

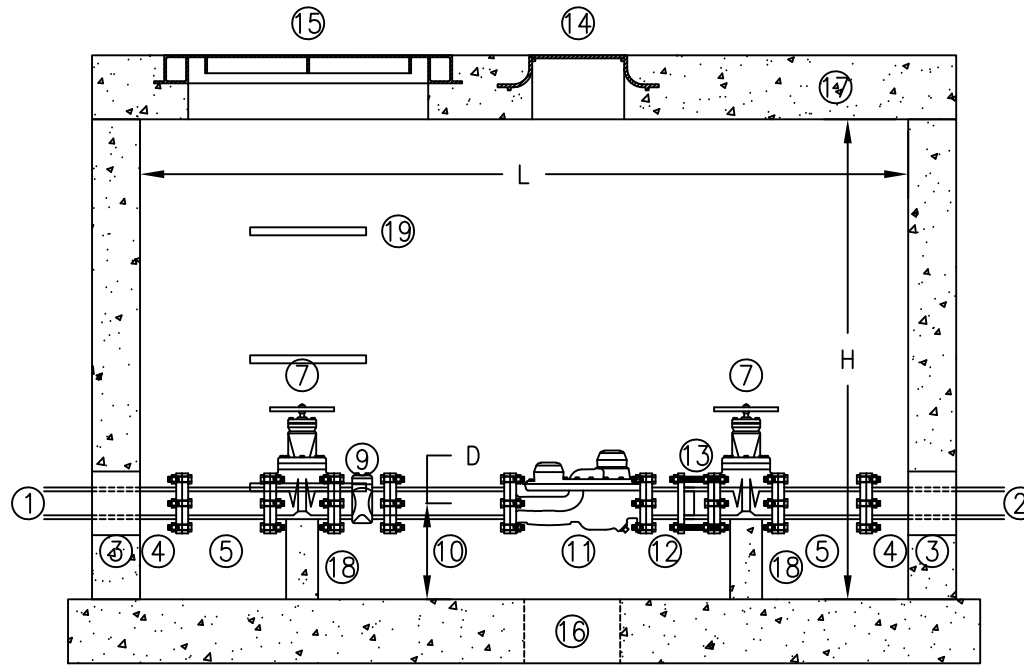
- |    |   |     |  |
|----|---|-----|--|
| 1  | INLET   | 12  | FLxPE PIPE, LENGTH EQUAL TO 2x METER SIZE                    |
| 2  | OUTLET  | 13  | FLANGED COUPLING ADAPTER, ROMAC FCA501 OR EQUAL              |
| 3  | WALL SLEEVE, 2" GREATER THAN SUPPLY PIPE DIAMETER                                   | 14  | FORD A32PR-BR INSPECTION RING, CENTERED OVER METER           |
| 4  | FLANGE X PLAIN END WALL PIPE  | 15  | 30"x30" ACCESS HATCH   |
| 5  | TEE, FLxFLxFL   | 16  | SUMP HOLE  |
| 6  | 90° FLxFL ELBOW   | 17  | CONCRETE VAULT, PRECAST OR CAST-IN-PLACE<br>DESIGN BY OTHERS |
| 7  | OS&Y RESILIENT SEAT GATE VALVE WITH HAND WHEEL, FLxFL                               | A,B | CLEAR DISTANCES, SEE VAULT SIZE TABLE                        |
| 8  | FLxFL PIPE, LENGTH AS REQUIRED OR FLxPE WITH RESTRAINED<br>FLANGED COUPLING ADAPTER | C   | CLEAR DISTANCE = FLANGE DIA./2 + 12", 18" MIN.               |
| 9  | PLATE STRAINER, SUPPLIED BY CITY  | L   | VAULT LENGTH, VARIES BY METER SIZE SEE VAULT SIZE TABLE      |
| 10 | FLxFL PIPE, LENGTH EQUAL TO 5x METER SIZE   | W   | VAULT WIDTH, VARIES BY METER SIZE SEE VAULT SIZE TABLE       |
| 11 | WATER METER, SUPPLIED BY CITY   |     |  |

ALL NUTS AND BOLTS SHALL BE STAINLESS STEEL GRADE 304 OR BETTER, COATED TO PREVENT GALLING AND SEIZING.

FLANGE GASKETS SHALL BE  $\frac{1}{8}$ " THICK 150 LB. RED RUBBER.

BYPASS MAY BE CONSTRUCTED OUTSIDE OF METER VAULT IF WARRANTED BY SITE CONDITIONS WITH APPROVAL OF DEPARTMENT OF UTILITIES STAFF.

# METER VAULT DETAIL 3" AND LARGER



SECTION A-A

NOTES:

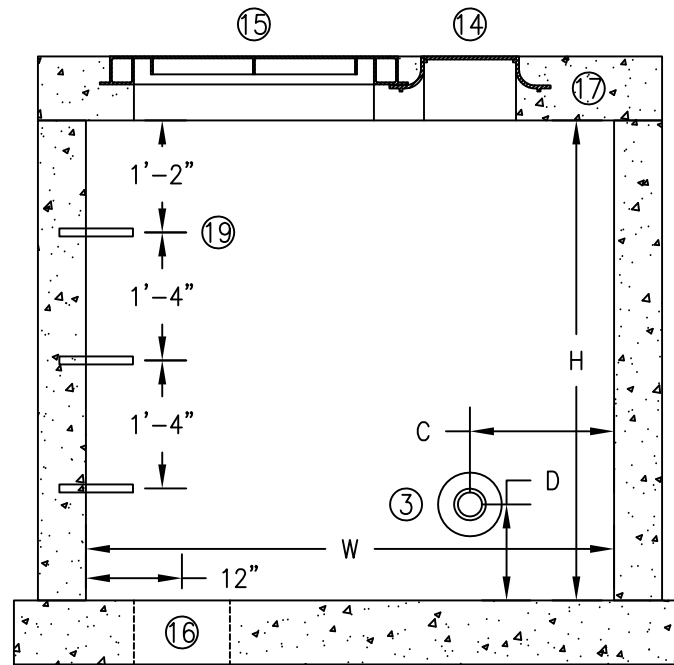
- |    |   |    |   |
|----|---|----|---|
| 1  | INLET   | 15 | 30"x30" ACCESS HATCH                                      |
| 2  | OUTLET  | 16 | SUMP HOLE   |
| 3  | WALL SLEEVE, 2" GREATER THAN SUPPLY PIPE DIAMETER     | 17 | CONCRETE VAULT, PRECAST OR CAST-IN-PLACE DESIGN BY OTHERS |
| 4  | FLANGE X PLAIN END WALL PIPE                          | 18 | CONCRETE PIPE SUPPORT                                     |
| 5  | TEE, FLxFLxFL   | 19 | STEPS, MA INDUSTRIES PS2-PF-DF OR EQUAL, 3 REQUIRED       |
| 7  | OS&Y RESILIENT SEAT GATE VALVE WITH HAND WHEEL, FLxFL | D  | CLEAR DISTANCE = FLANGE DIA./2 + 12", 18" MINIMUM         |
| 9  | PLATE STRAINER, SUPPLIED BY CITY                      | L  | VAULT LENGTH, VARIES BY METER SIZE SEE VAULT SIZE TABLE   |
| 10 | FLxFL PIPE, LENGTH EQUAL TO 5x METER SIZE             | H  | VAULT HEIGHT, 5'-0" MINIMUM                               |
| 11 | WATER METER, SUPPLIED BY CITY                         |    |   |
| 12 | FLxPE PIPE, LENGTH EQUAL TO 2x METER SIZE             |    |   |
| 13 | FLANGED COUPLING ADAPTER, ROMAC FCA501 OR EQUAL       |    |   |
| 14 | FORD A32PR-BR INSPECTION RING, CENTERED OVER METER    |    |   |

ALL NUTS AND BOLTS SHALL BE STAINLESS STEEL GRADE 304 OR BETTER, COATED TO PREVENT GALLING AND SEIZING.

FLANGE GASKETS SHALL BE  $\frac{1}{8}$ " THICK 150 LB. RED RUBBER.

BYPASS MAY BE CONSTRUCTED OUTSIDE OF METER VAULT IF WARRANTED BY SITE CONDITIONS WITH APPROVAL OF DEPARTMENT OF UTILITIES STAFF.

# METER VAULT DETAIL 3" AND LARGER



SECTION B-B

NOTES:

- 3 WALL SLEEVE, 2" GREATER THAN SUPPLY PIPE DIAMETER
- 14 FORD A32PR-BR INSPECTION RING, CENTERED OVER METER
- 15 30"x30" ACCESS HATCH
- 16 SUMP HOLE
- 17 CONCRETE VAULT, PRECAST OR CAST-IN-PLACE  
DESIGN BY OTHERS
- 19 STEPS, MA INDUSTRIES PS2-PF-DF OR EQUAL 3 REQUIRED
- C CLEAR DISTANCE = FLANGE DIA./2 + 12", 18" MINIMUM
- D CLEAR DISTANCE FLANGE DIA./2+12", 18" MINIMUM
- H VAULT HEIGHT, 5'-0" MINIMUM
- W VAULT WIDTH, VARIES BY METER SIZE SEE VAULT SIZE TABLE

ALL NUTS AND BOLTS SHALL BE STAINLESS STEEL GRADE 304 OR BETTER, COATED TO PREVENT GALLING AND SEIZING.

FLANGE GASKETS SHALL BE  $\frac{1}{8}$ " THICK 150 LB. RED RUBBER.

BYPASS MAY BE CONSTRUCTED OUTSIDE OF METER VAULT IF WARRANTED BY SITE CONDITIONS WITH APPROVAL OF DEPARTMENT OF UTILITIES STAFF.

# METER VAULT SIZING TABLE

METER VAULT SIZE TABLE					
METER SIZE	VAULT LENGTH	CLR. DIST. "A"	VAULT WIDTH	CLR. DIST. "B"	CLR. DIST. "C"
3"(C)	8'-0"	0'-5 1/4"	6'-0"	2'-8"	1'-6"
3"(T)	8'-0"	0'-7 3/4"	6'-0"	2'-8"	1'-6"
4"(C)	10'-0"	0'-8 1/2"	6'-0"	2'-8"	1'-6"
4"(T)	10'-0"	0'-11 1/2"	6'-0"	2'-8"	1'-6"
6"(C)	12'-0"	0'-6 15/16"	6'-0"	2'-8"	1'-6"
6"(T)	12'-0"	0'-9 15/16"	6'-0"	2'-8"	1'-6"
8"(T)	14'-0"	0'-8 3/8"	6'-0"	2'-8"	1'-6 3/4"
10"(T)	17'-0"	0'-9 7/8"	7'-0"	2'-8"	1'-8"
12"(T)	18'-0"	0'-7 1/2"	7'-0"	2'-8"	1'-9 1/2"

(C) DENOTES COMPOUND SERIES METER  
 (T) DENOTES TURBO SERIES METER  
 CLEAR DISTANCES LISTED ARE MINIMUMS