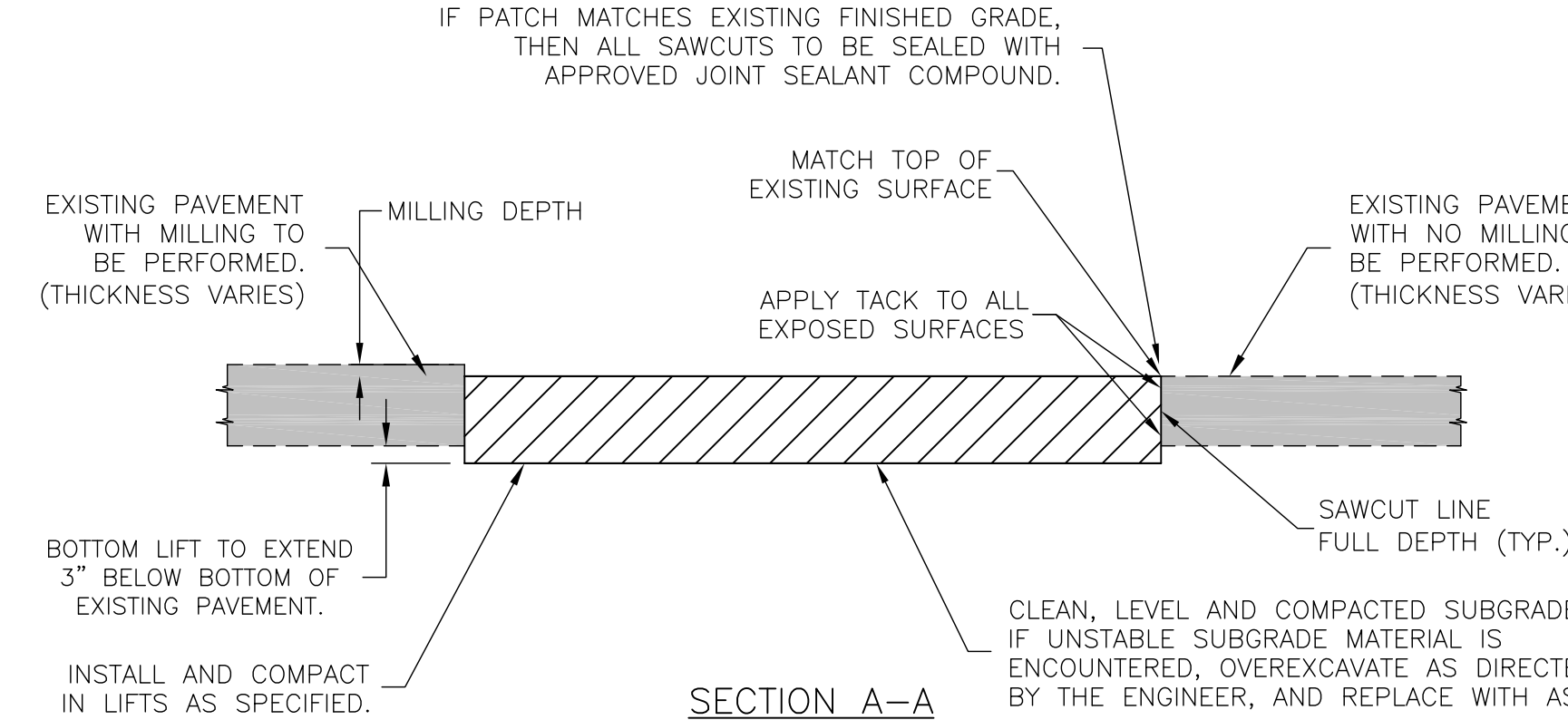
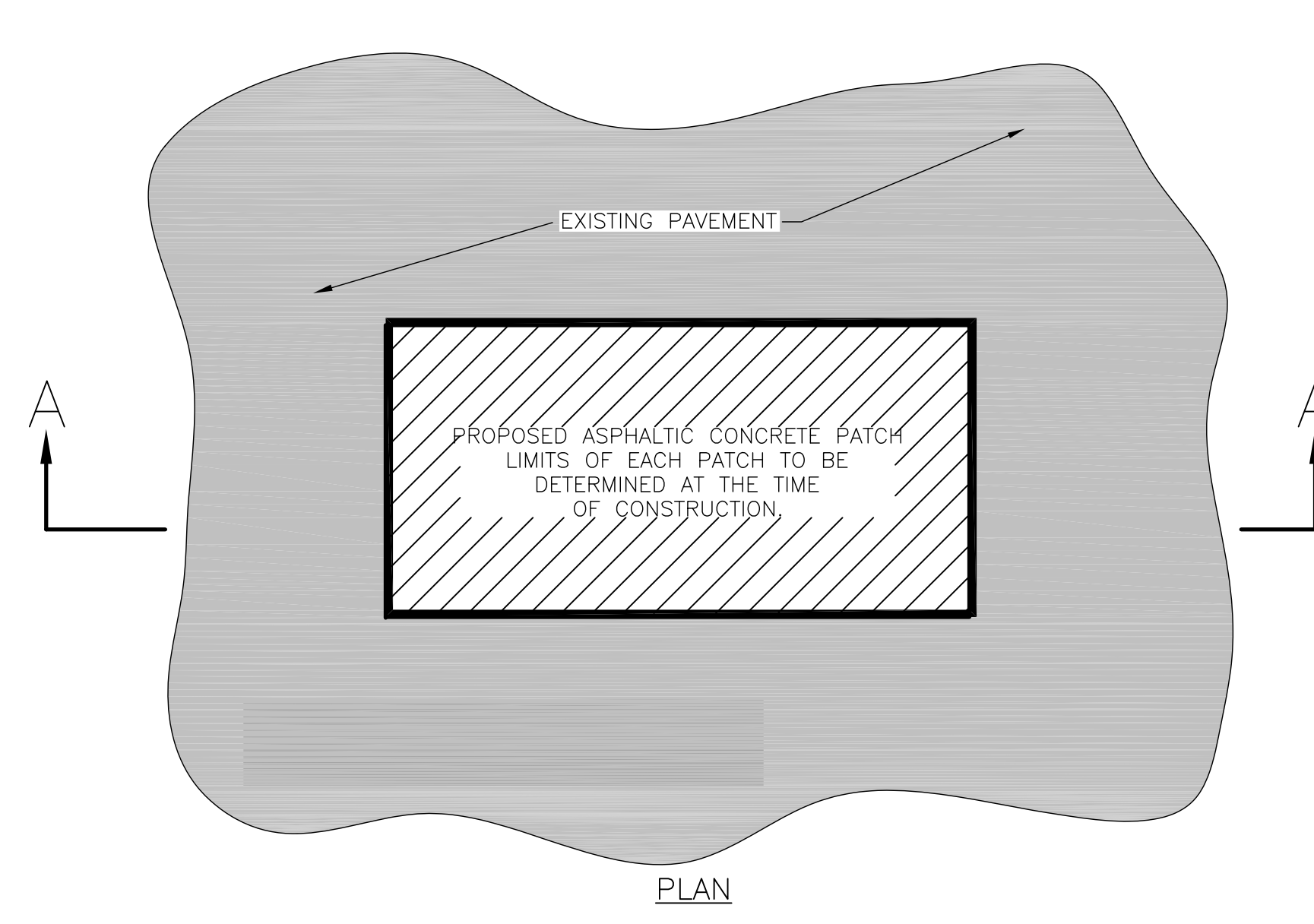
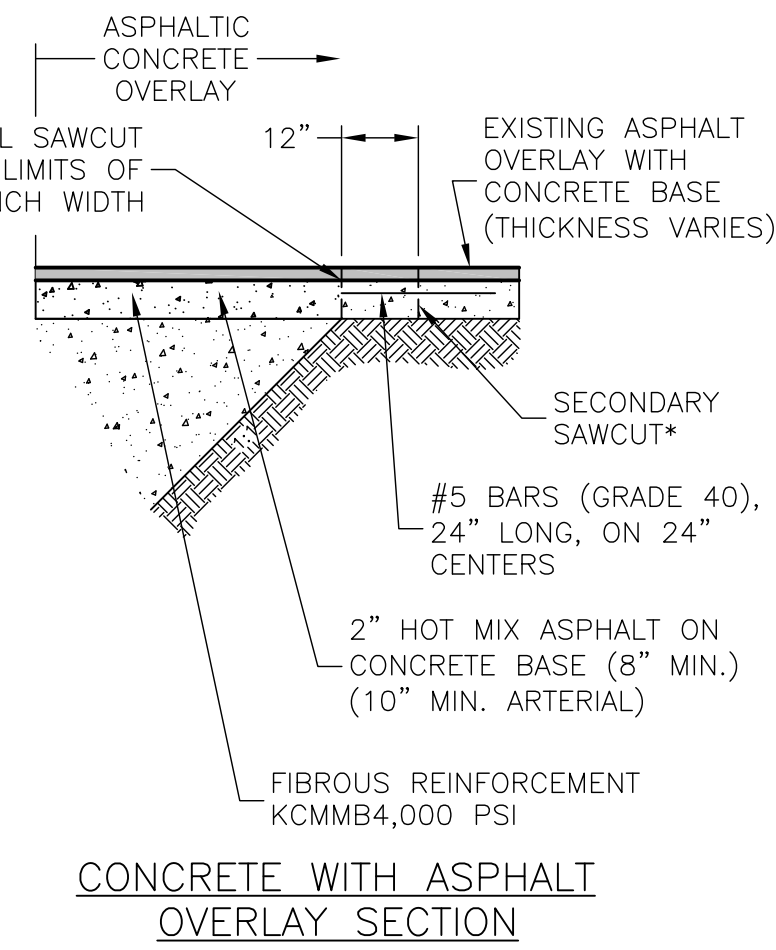
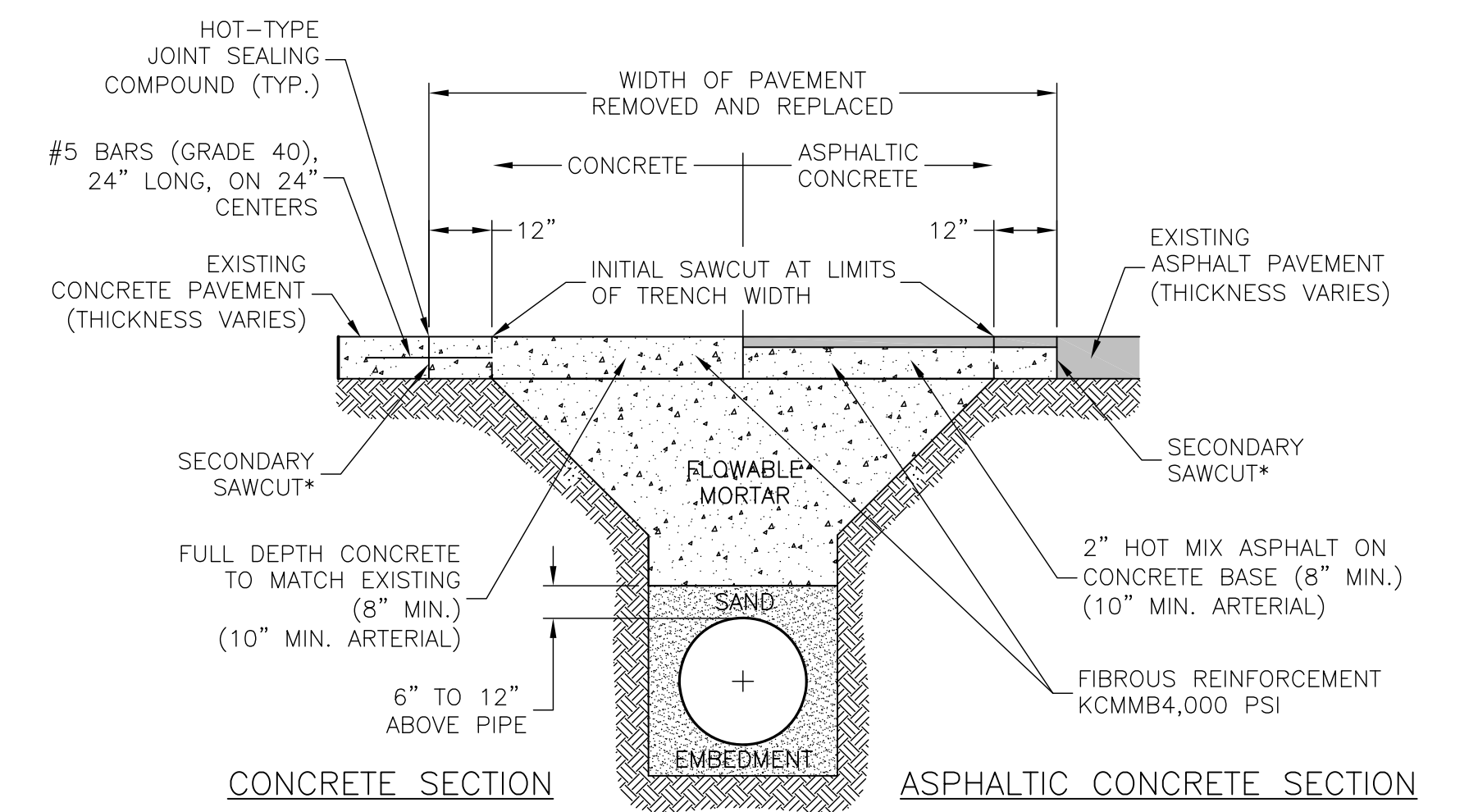


SECTION A-A  
PORTLAND CEMENT CONCRETE PATCHING DETAILS

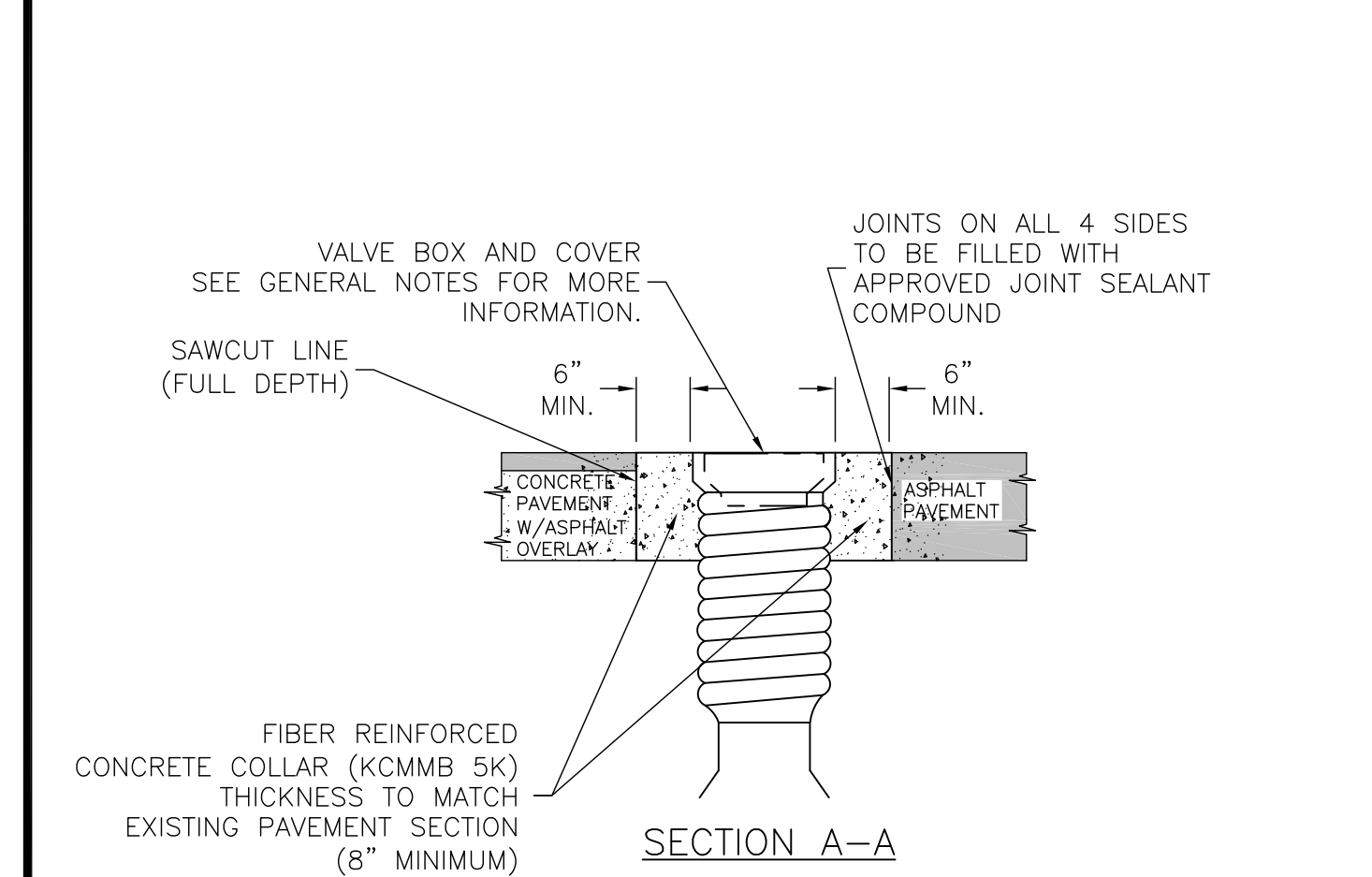
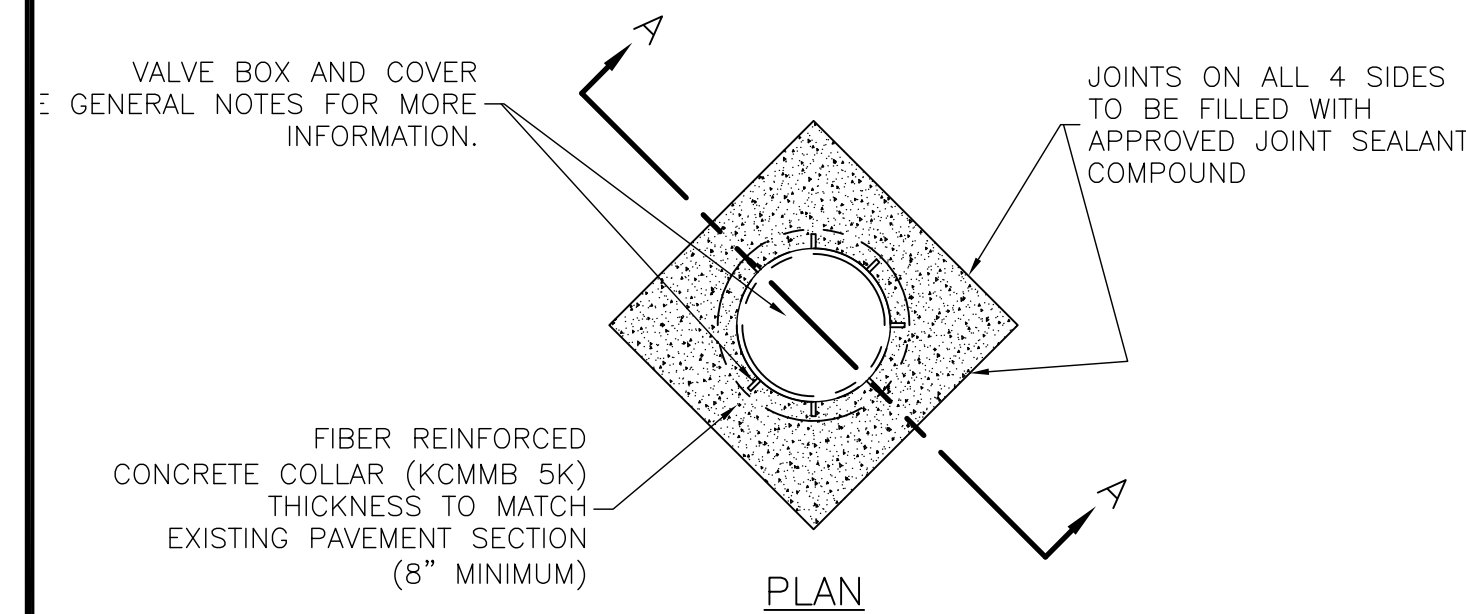


SECTION A-A  
ASPHALTIC CONCRETE PATCHING DETAILS



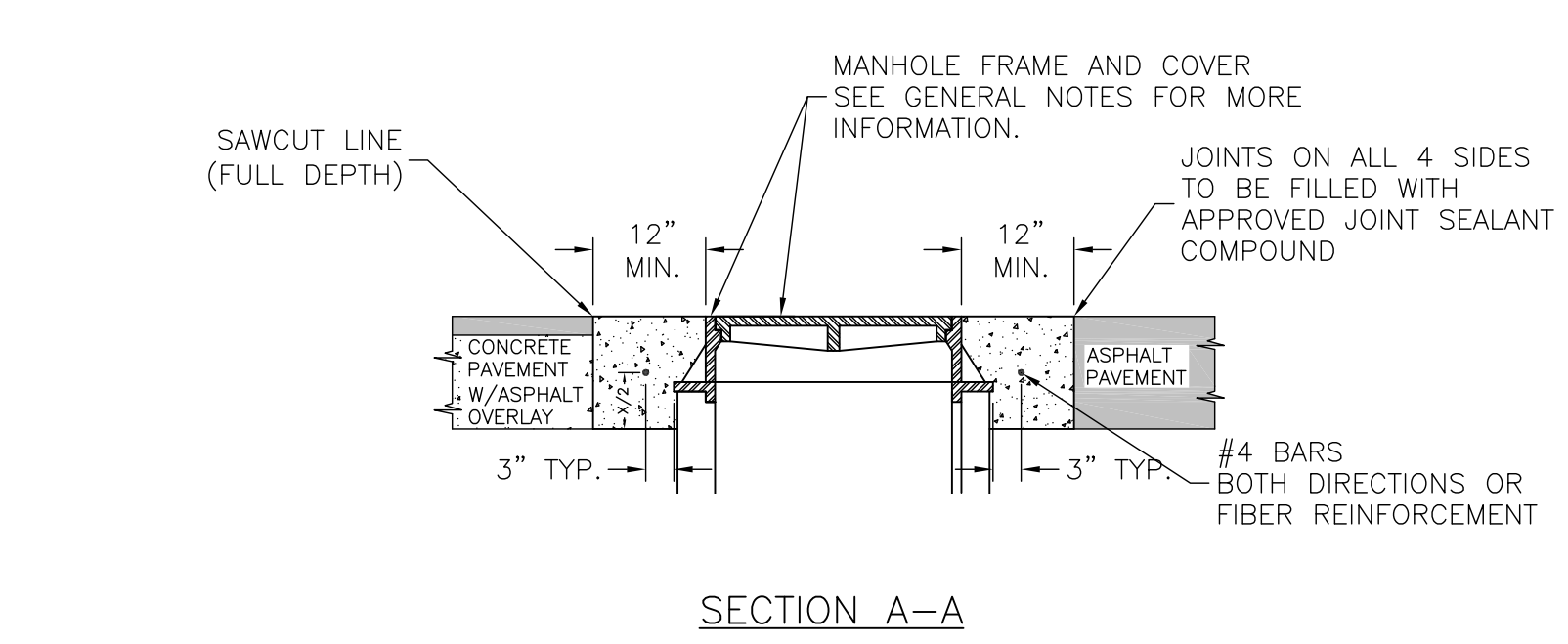
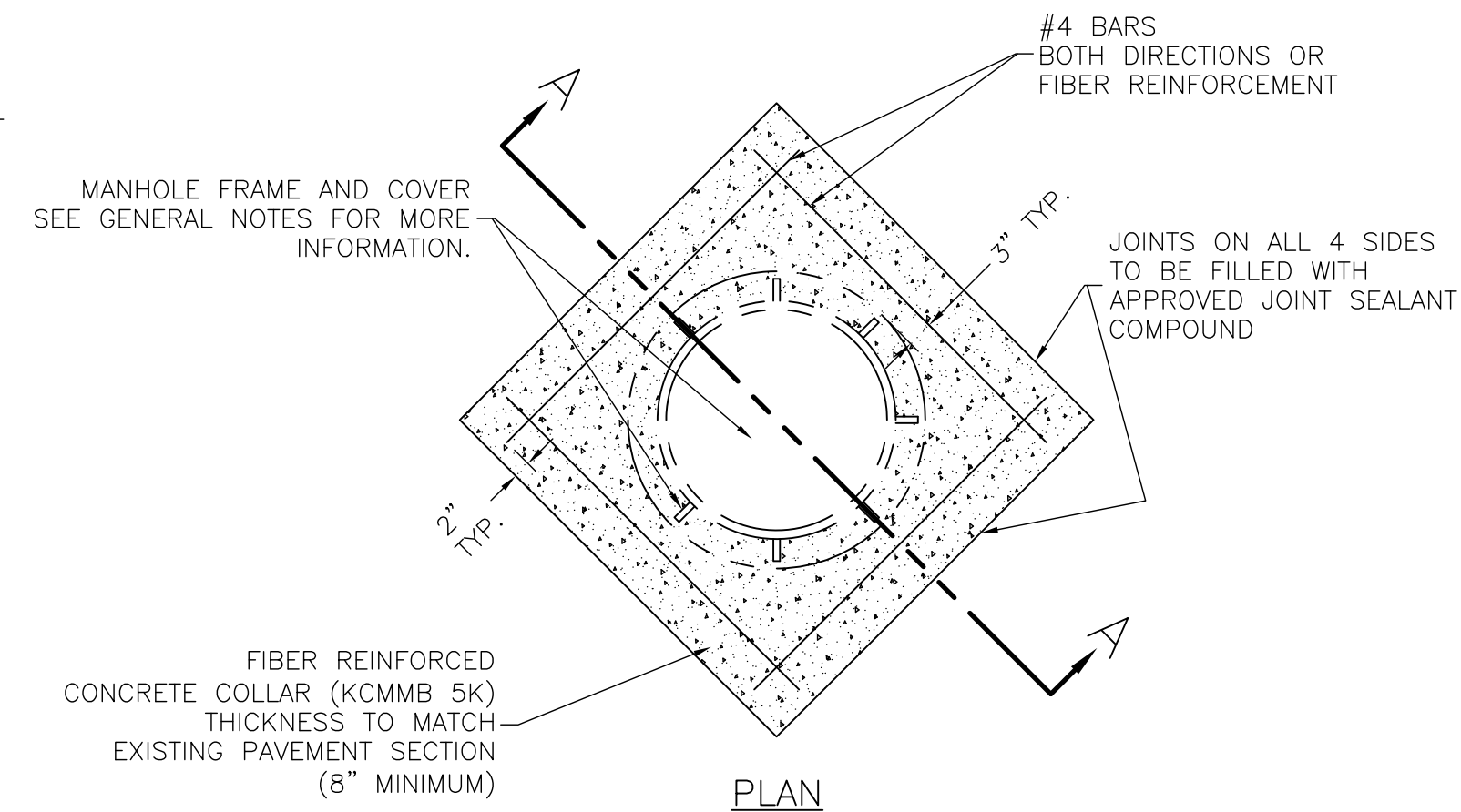
- NOTES
1. ALL PAVEMENT SAW CUTS SHALL BE MADE TO FULL DEPTH OF PAVEMENT THICKNESS AND PAVEMENT REMOVED WITHOUT DAMAGE TO ADJACENT PAVEMENT.
  2. ALL TRENCHING AND BACKFILL SHALL BE ACCOMPLISHED TO PAVING SUBGRADE PRIOR TO INITIATION OF SECOND SAW CUT AND ADDITIONAL PAVEMENT REMOVAL.
  3. PRIOR TO INSTALLATION OF FLOWABLE MORTAR AND NEW PAVEMENT, PAVEMENT SHALL BE OVERCUT TO EXTEND BEYOND ANY LOCATION THAT BECOMES UNDERMINED WITH APPARENT VOIDS UNDER PAVEMENT.
  4. BARS SHALL BE DRILLED AND GROUTED INTO EXISTING CONCRETE PAVEMENT.
  5. DRILLING AND GROUTING SHALL BE PER KDOT SPECIFICATIONS SECTION 842.
  6. TRENCH BACKFILL SHALL BE FLOWABLE FILL FROM TWO (2) FEET BEHIND THE BACK OF CURB ON EACH SIDE OF THE STREET.
  7. FOR OVERLAYED BRICK STREETS, THE BRICKS NEED TO BE CLEANED AND PALLETED. CONTACT THE CITY OF LAWRENCE STREET DIVISION TO SCHEDULE PICKUP. THE REMAINING TRENCH SHOULD BE TREATED AS PER THE ASPHALT OVERLAY DETAIL.
  8. FOR BRICK STREETS, THE BRICK NEEDS TO BE REPLACED.

PERMANENT PAVEMENT REMOVAL AND REPLACEMENT DETAILS



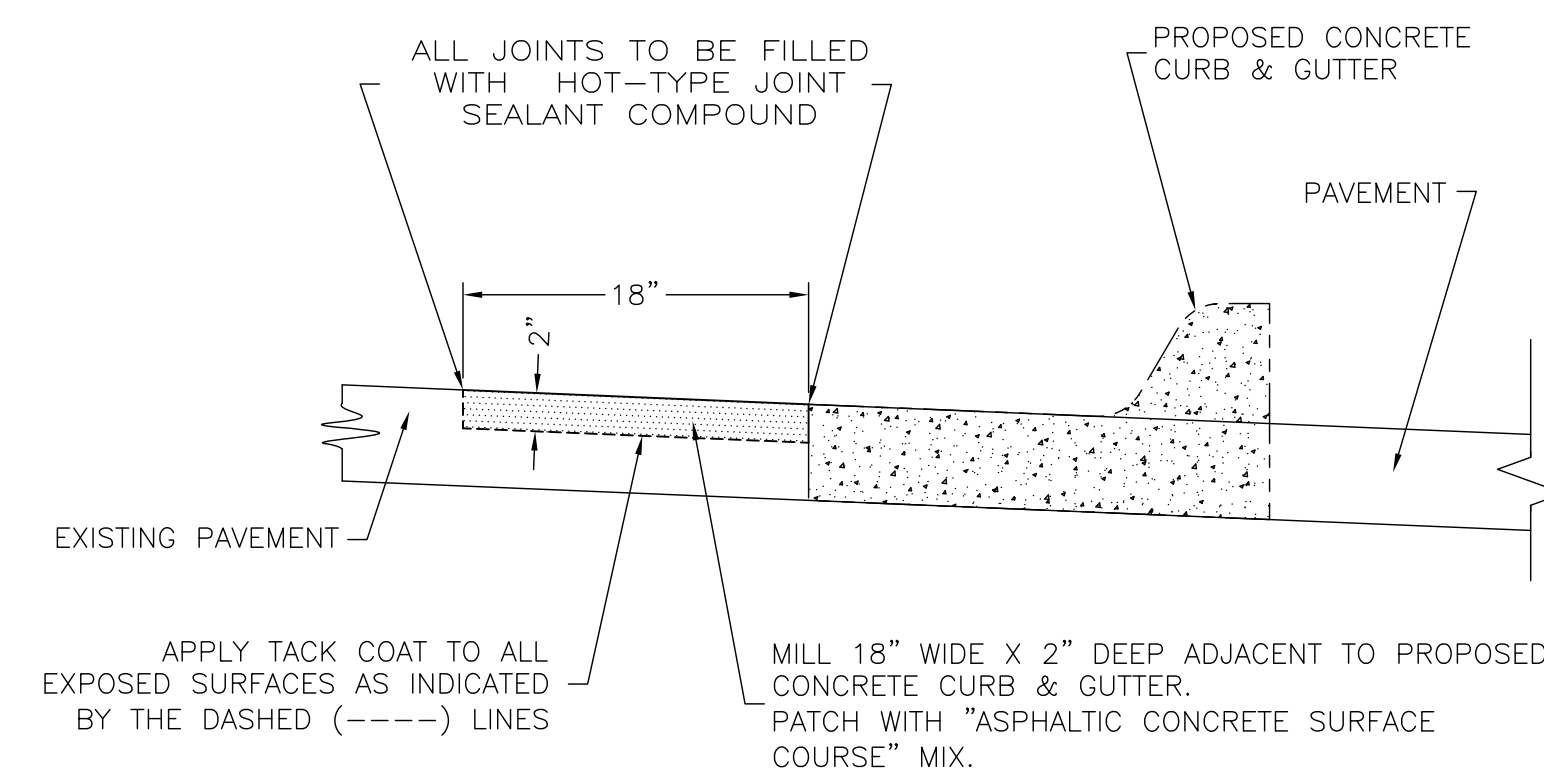
- GENERAL NOTES
- 1.) ADJUST VALVE BOX FRAME AND COVER TO FINISH GRADE AND SLOPE.
  - 2.) THE ORIENTATION OF THE REINFORCED CONCRETE COLLAR SHALL BE DETERMINED BY THE ENGINEER IN THE FIELD.
  - 3.) ALL ITEMS SHOWN ABOVE ARE SUBSIDIARY TO THE BID ITEM "VALVE ADJUSTMENT".

STANDARD VALVE ADJUSTMENT DETAILS



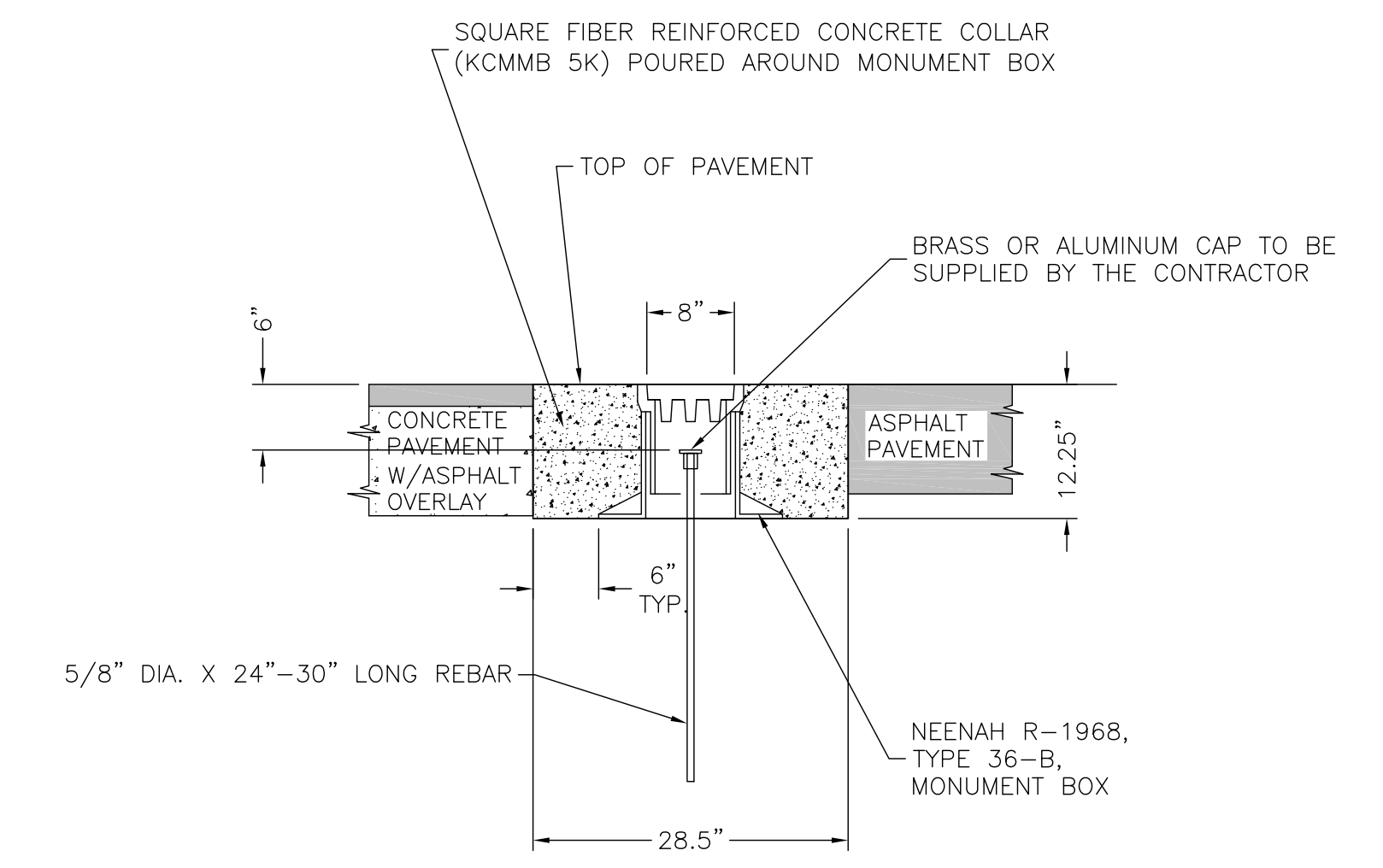
- GENERAL NOTES
- 1.) ADJUST MANHOLE FRAME AND COVER TO FINISH GRADE AND SLOPE WITH CONCRETE ADJUSTMENT RINGS AND LEVELING MORTAR AS REQUIRED.
  - 2.) THE ORIENTATION OF THE REINFORCED CONCRETE COLLAR SHALL BE DETERMINED BY THE ENGINEER IN THE FIELD.
  - 3.) ALL ITEMS SHOWN ABOVE ARE SUBSIDIARY TO THE BID ITEM "MANHOLE ADJUSTMENT".

STANDARD MANHOLE ADJUSTMENT DETAILS



ASPHALTIC CONCRETE EDGE PATCH DETAIL  
ADJACENT TO PROPOSED CONCRETE CURB AND GUTTER OR PAVEMENT

- GENERAL NOTES
- 1.) ADJUST MONUMENT BOX TO FINISH GRADE AND SLOPE WITH CONCRETE ADJUSTMENT RINGS AND LEVELING MORTAR AS REQUIRED.
  - 2.) THE ORIENTATION OF THE REINFORCED CONCRETE COLLAR SHALL BE DETERMINED BY THE CITY SURVEYOR IN THE FIELD.
  - 3.) ALL ITEMS SHOWN ABOVE ARE SUBSIDIARY TO THE BID ITEM "MONUMENT BOX INSTALL/ADJUSTMENT".



TYPE 1 MONUMENT BOX DETAIL

- GENERAL NOTES
- 1.) ADJUST MONUMENT BOX TO FINISH GRADE AND SLOPE WITH CONCRETE ADJUSTMENT RINGS AND LEVELING MORTAR AS REQUIRED.
  - 2.) THE ORIENTATION OF THE REINFORCED CONCRETE COLLAR SHALL BE DETERMINED BY THE CITY SURVEYOR IN THE FIELD.
  - 3.) ALL ITEMS SHOWN ABOVE ARE SUBSIDIARY TO THE BID ITEM "MONUMENT BOX INSTALL/ADJUSTMENT".
  - 4.) OPTION TO INSTALL BY CORING METHOD AS APPROVED BY THE ENGINEER.

2018 EDITION SHEET \_\_\_\_ OF \_\_\_\_

DATE	BY	REVISION
03-13-18	LJM	REPLACES ALL PREVIOUS VERSIONS OF STREET REPAIR DETAILS
12-19-17	LJM	REPLACES ALL PREVIOUS VERSIONS OF STREET REPAIR DETAILS
03-21-17	LJM	REPLACES ALL PREVIOUS VERSIONS OF STREET REPAIR DETAILS
02-22-16	LJM	REPLACES ALL PREVIOUS VERSIONS OF STREET REPAIR DETAILS
03-17-15	LJM	NEW STANDARD DETAIL



STANDARD DETAILS FOR STREET REPAIR

DAVID P. CRONIN CITY ENGINEER THOMAS M. MARKUS CITY MANAGER