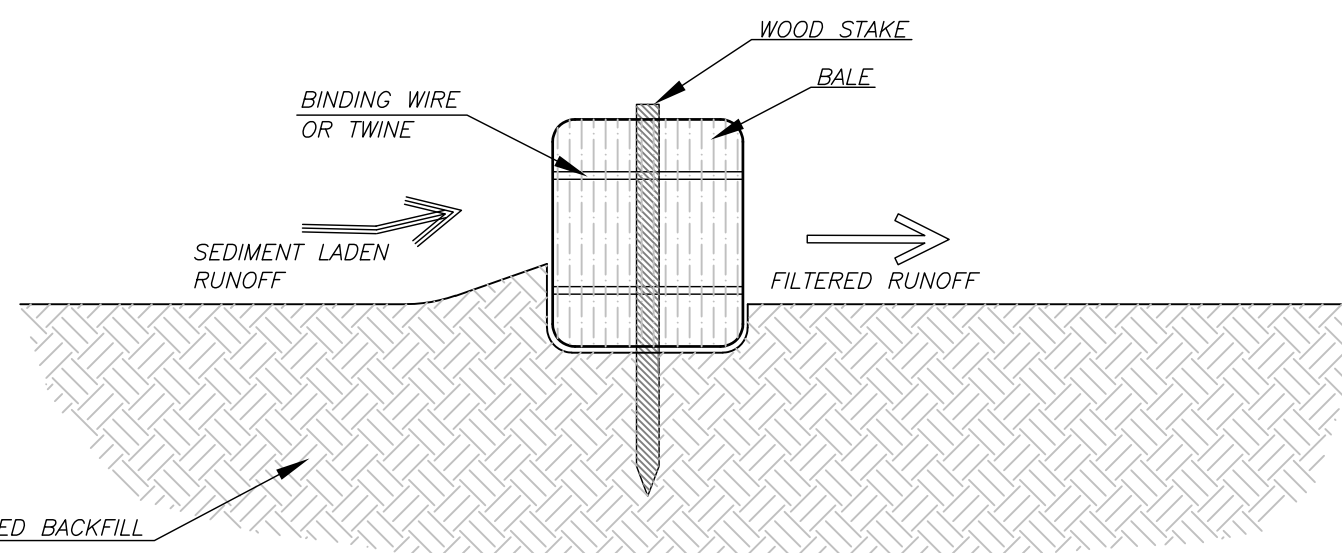
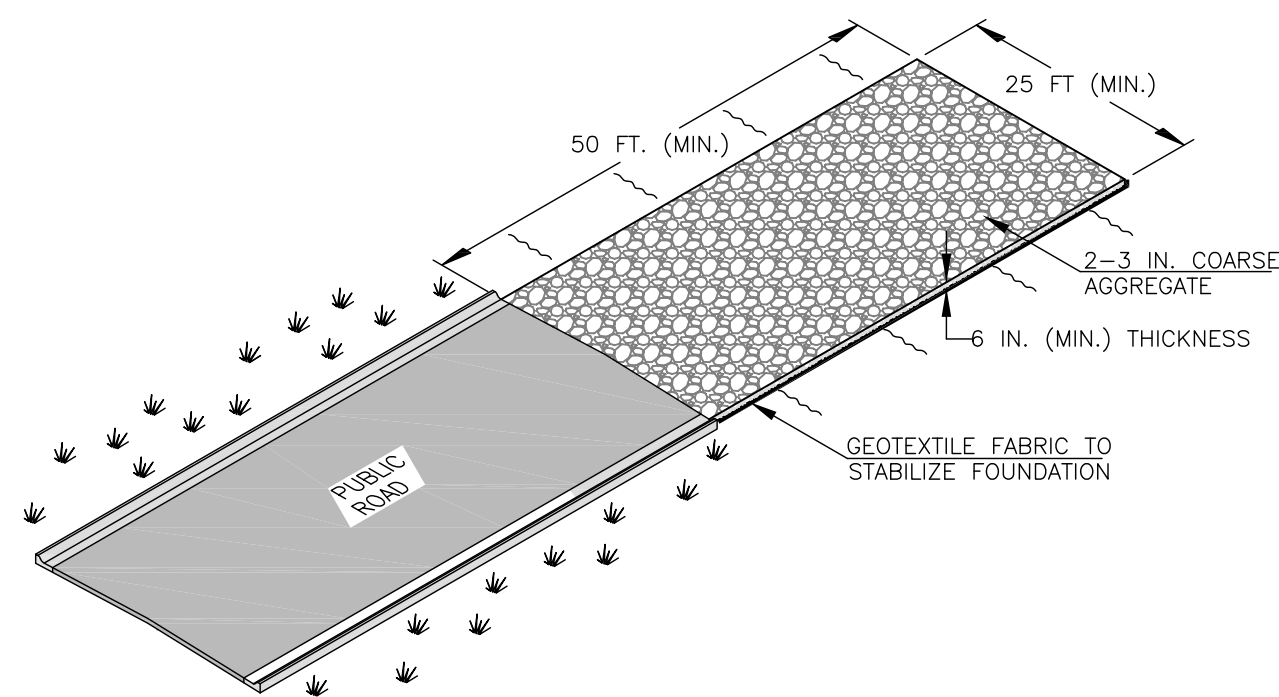


LOT ACCESS DETAIL
APPLIES TO ALL RESIDENTIAL LOTS

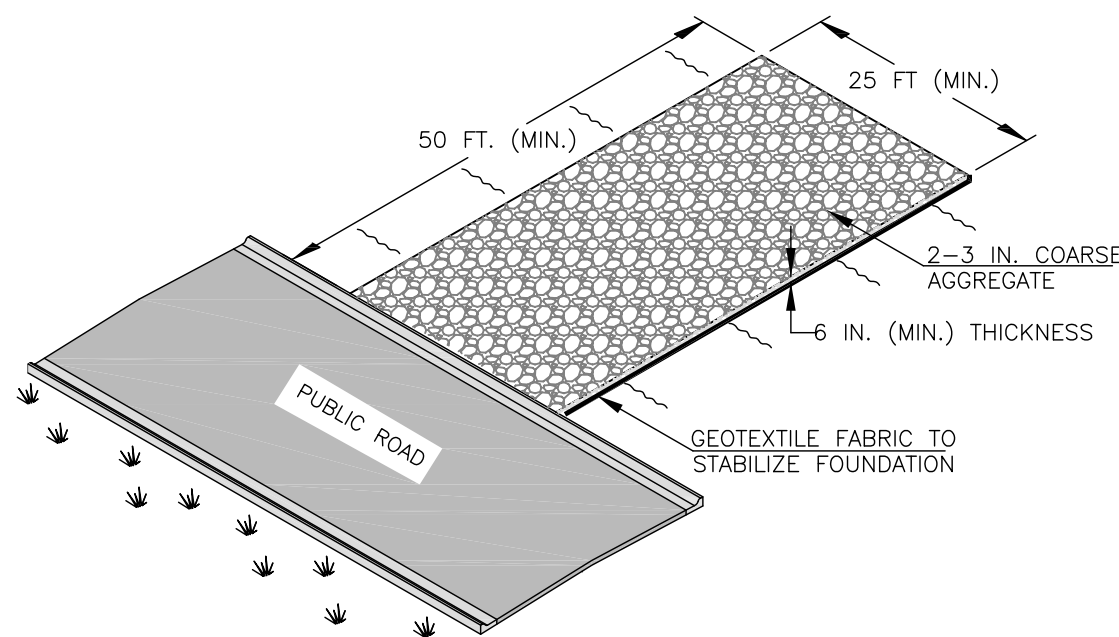
UTILITY CONTRACTORS MUST REPLACE SILT FENCE OR SEDIMENT BARRIER AND RESEED RIGHT-OF-WAY IMMEDIATELY AFTER INSTALLATION OF UTILITIES



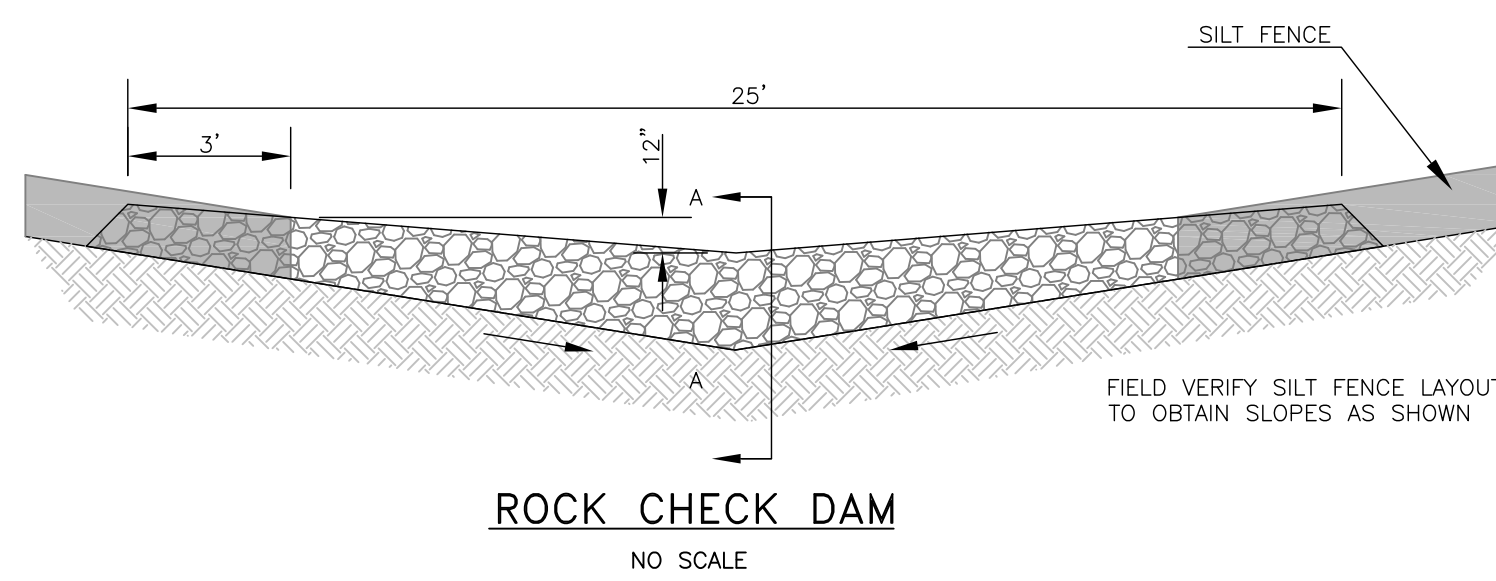
INSTALLATION OF BALE DITCH CHECKS



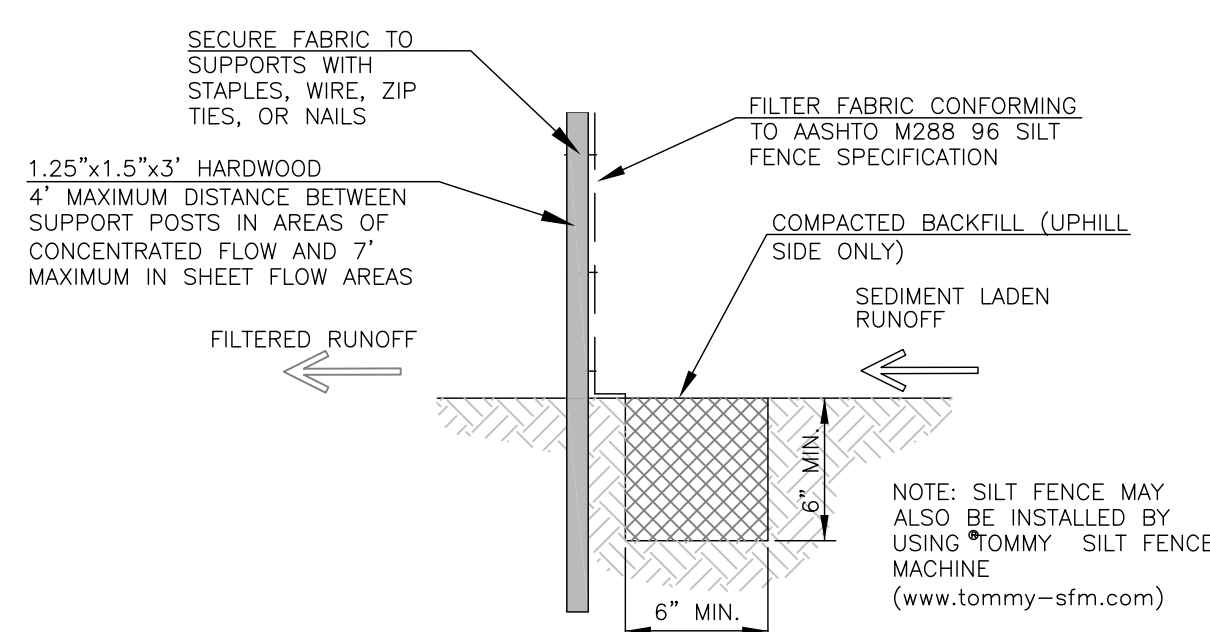
TEMPORARY GRAVEL CONSTRUCTION ENTRANCE PAD
NO SCALE



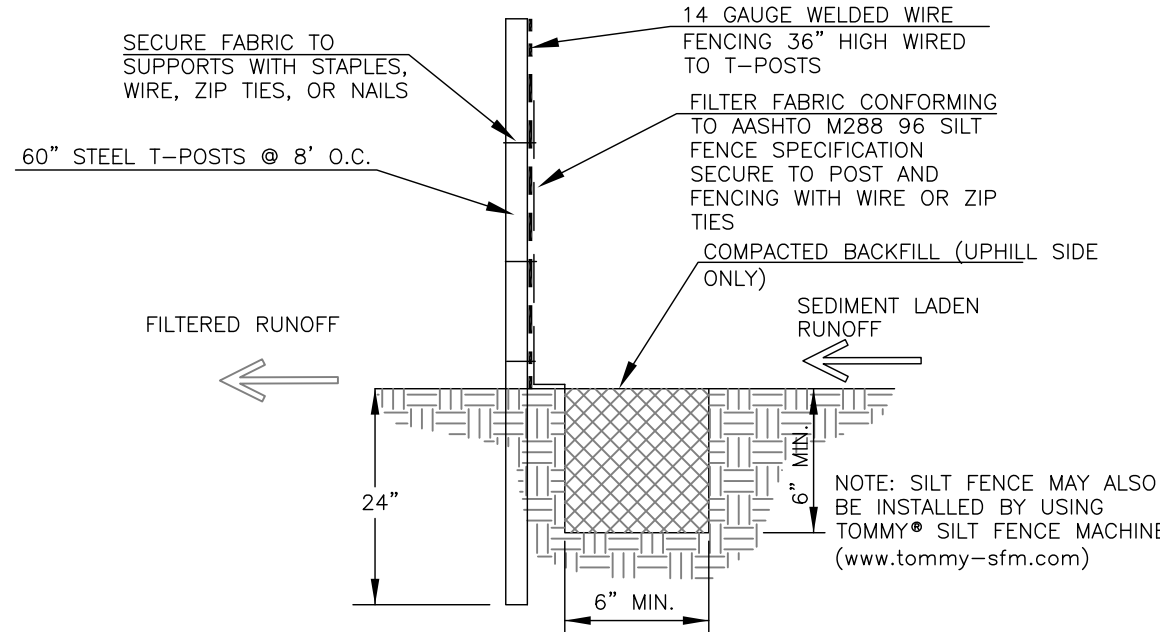
TEMPORARY GRAVEL CONSTRUCTION ENTRANCE PAD
NO SCALE



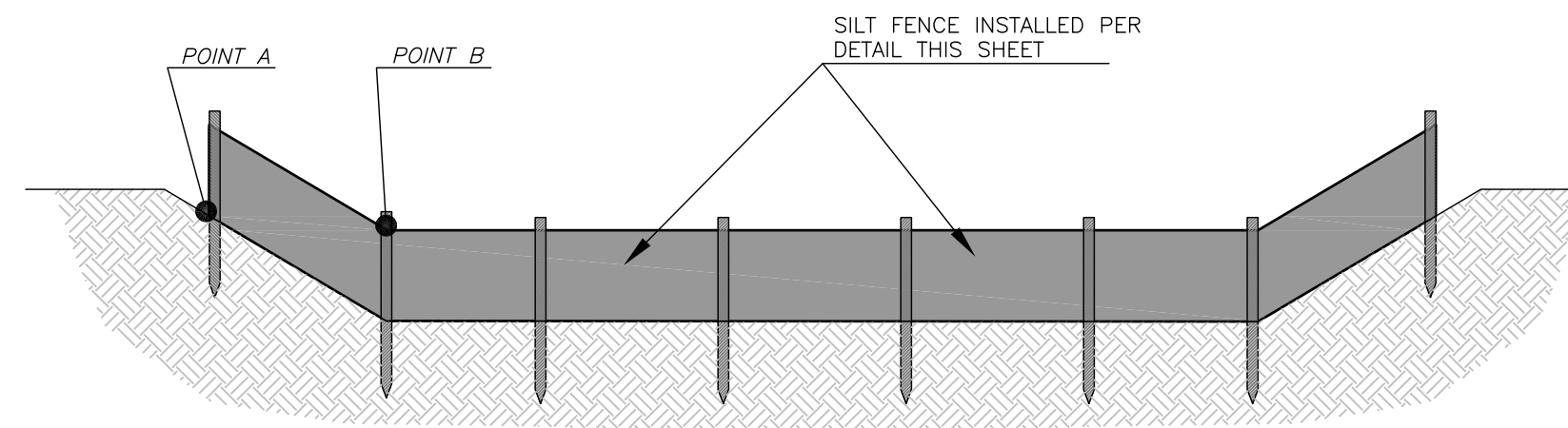
ROCK CHECK DAM
NO SCALE



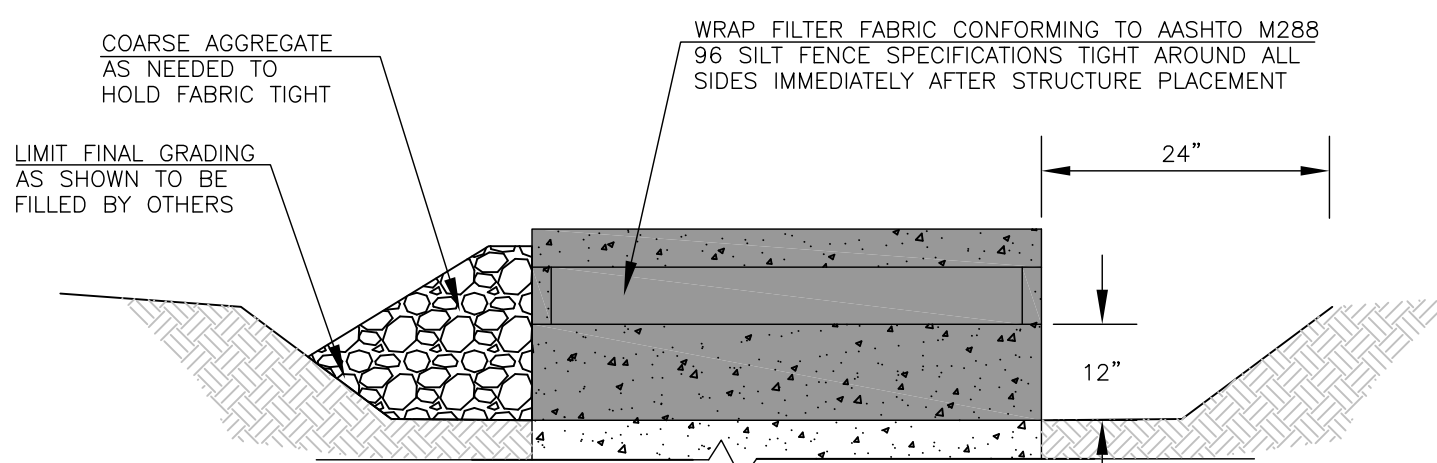
SILT FENCE SLOPE BARRIER DETAIL
NO SCALE



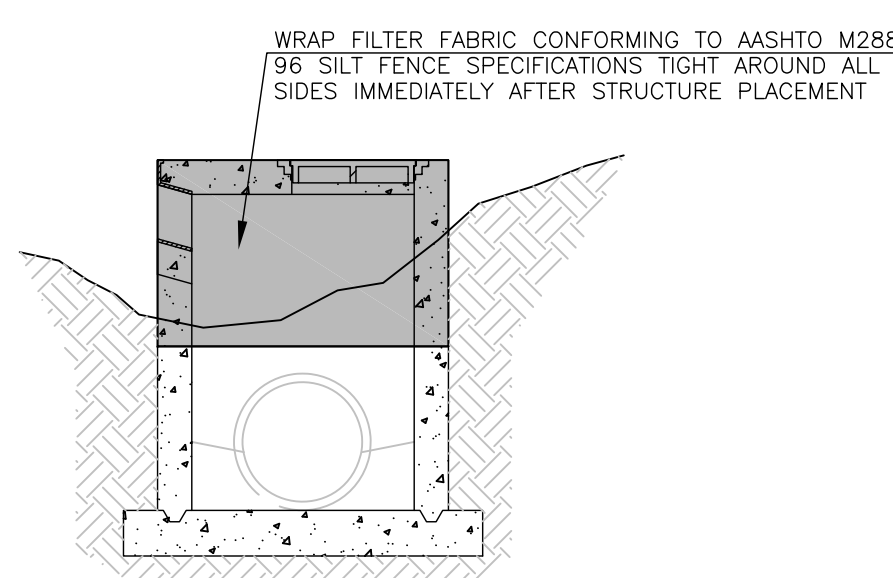
REINFORCED SILT FENCE SLOPE BARRIER DETAIL
NO SCALE



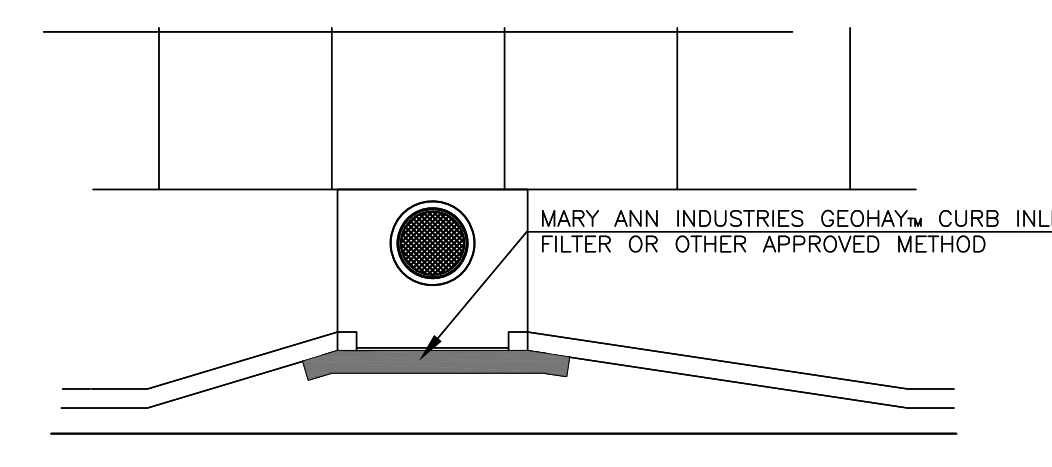
INSTALLATION OF SILT FENCE DITCH CHECKS
NO SCALE



AREA INLET SEDIMENT BARRIER
NO SCALE



TEMPORARY CURB INLET SEDIMENT BARRIER
NO SCALE



LONG-TERM CURB INLET SEDIMENT BARRIER
NO SCALE

- GENERAL NOTES:**
1. ALL CONSTRUCTION ACTIVITIES SHALL COMPLY WITH CITY OF LAWRENCE CODE 9-903 REGARDING STORMWATER POLLUTION PREVENTION.
 2. CONTRACTOR SHALL BE RESPONSIBLE FOR IMPLEMENTATION, INSPECTION, AND MAINTENANCE OF ALL BEST MANAGEMENT PRACTICES (BMPs) AS SHOWN ON THE APPROVED STORMWATER POLLUTION PREVENTION PLAN (SWP3) EXCLUDING CONSTRUCTION UNDER THE CONTROL OF SUBSEQUENT OWNERS OF INDIVIDUAL LOTS AND CONSTRUCTION BY UTILITIES.
 3. SUBSEQUENT OWNERS OF INDIVIDUAL LOTS ARE RESPONSIBLE FOR CONTINUED IMPLEMENTATION, INSPECTION, AND MAINTENANCE OF ALL BMPs WITHIN THE LOT AS SHOWN ON THE APPROVED SWP3.
 4. CONTRACTOR SHALL PROVIDE A COPY OF THE APPROVED SWP3 TO ALL CONTRACTORS, UTILITIES, AND SUBSEQUENT OWNERS OF INDIVIDUAL LOTS PRIOR TO ANY WORK WITHIN THE SUBDIVISION.
 5. CONTRACTORS WILL BE RESPONSIBLE FOR THE IMMEDIATE REMOVAL OF SOIL TRACKED ONTO PAVED STREETS.
 6. STREET CONTRACTOR WILL BE RESPONSIBLE FOR MARKING ALL LIMITS OF DISTURBANCE (LOD) AND WILL NOT DISTURB VEGETATIVE COVER OUTSIDE OF THESE LIMITS.
 7. INSPECTION OF BMP's SHALL OCCUR AT LEAST ONCE EVERY 14 DAYS AND WITHIN 24 HOURS AFTER A RAINFALL EVENT OF 1/2" OR MORE OF RAIN AS MEASURED ON SITE.
 8. MAINTENANCE OF BMPs SHALL INCLUDE NECESSARY REPAIRS, REMOVAL OF SEDIMENT, AND ANY NECESSARY MODIFICATIONS TO BMPs AS AUTHORIZED BY CITY OF LAWRENCE.
 9. SILT FENCE WILL BE INSTALLED AS SHOWN ON THIS PLAN WITH MODIFICATIONS (AS APPROVED BY THE CITY) AS NECESSARY AT THE TIME OF INSTALLATION TO FIT THE EXISTING CONDITIONS.
 10. TOPSOIL MUST BE STOCKPILED UPSTREAM OF SILT FENCE.
 11. SILT FENCE SHALL BE RELOCATED IMMEDIATELY DOWNSTREAM OF ANY ADDITIONAL GRADING OR TRENCHING REQUIRED TO COMPLETE WORK SHOWN ON THESE PLANS.
 12. R/W SILT FENCE SHOULD BE INSTALLED AT A DISTANCE OF 3' ON THE UPSLOPE SIDE OF FUTURE SIDEWALKS AND AT A DISTANCE OF 8' FROM THE BACK OF CURB IF NO SIDEWALK IS TO BE CONSTRUCTED AND INSTALLED IMMEDIATELY AFTER FINAL STREET GRADING.
 13. TEMPORARY CURB INLET SEDIMENT BARRIERS MUST BE INSTALLED IMMEDIATELY AFTER STRUCTURE PLACEMENT AND ONLY REMOVED JUST PRIOR TO PLACEMENT OF CURB AND GUTTER.
 14. AFTER INITIAL DETENTION BASIN GRADING ALL DISTURBED AREAS SHALL BE SEEDED WITH A TEMPORARY COVER CROP OF ANNUAL RYE OR WHEAT. TEMPORARY BASIN OUTLET STRUCTURES SHALL BE INSTALLED PER DETAIL THIS SHEET.
 15. AFTER VEGETATIVE COVER OF THE REST OF THE SITE IS ESTABLISHED REMOVE TEMPORARY BASIN OUTLET STRUCTURES, REGARDED BASINS TO REMOVE SEDIMENT, AND RESEED. ALL SEEDED AREAS SHALL BE MULCHED PER CITY OF LAWRENCE STANDARD SPECIFICATIONS.

2018 EDITION SHEET _____ OF _____

DATE	BY	REVISION
03-13-18	LJM	REPLACES ALL PREVIOUS VERSIONS OF EROSION AND SEDIMENT CONTROL DETAILS
12-19-17	LJM	REPLACES ALL PREVIOUS VERSIONS OF EROSION AND SEDIMENT CONTROL DETAILS
03-21-17	LJM	REPLACES ALL PREVIOUS VERSIONS OF EROSION AND SEDIMENT CONTROL DETAILS
02-22-16	LJM	REPLACES ALL PREVIOUS VERSIONS OF EROSION AND SEDIMENT CONTROL DETAILS
03-17-15	LJM	NEW STANDARD DETAIL

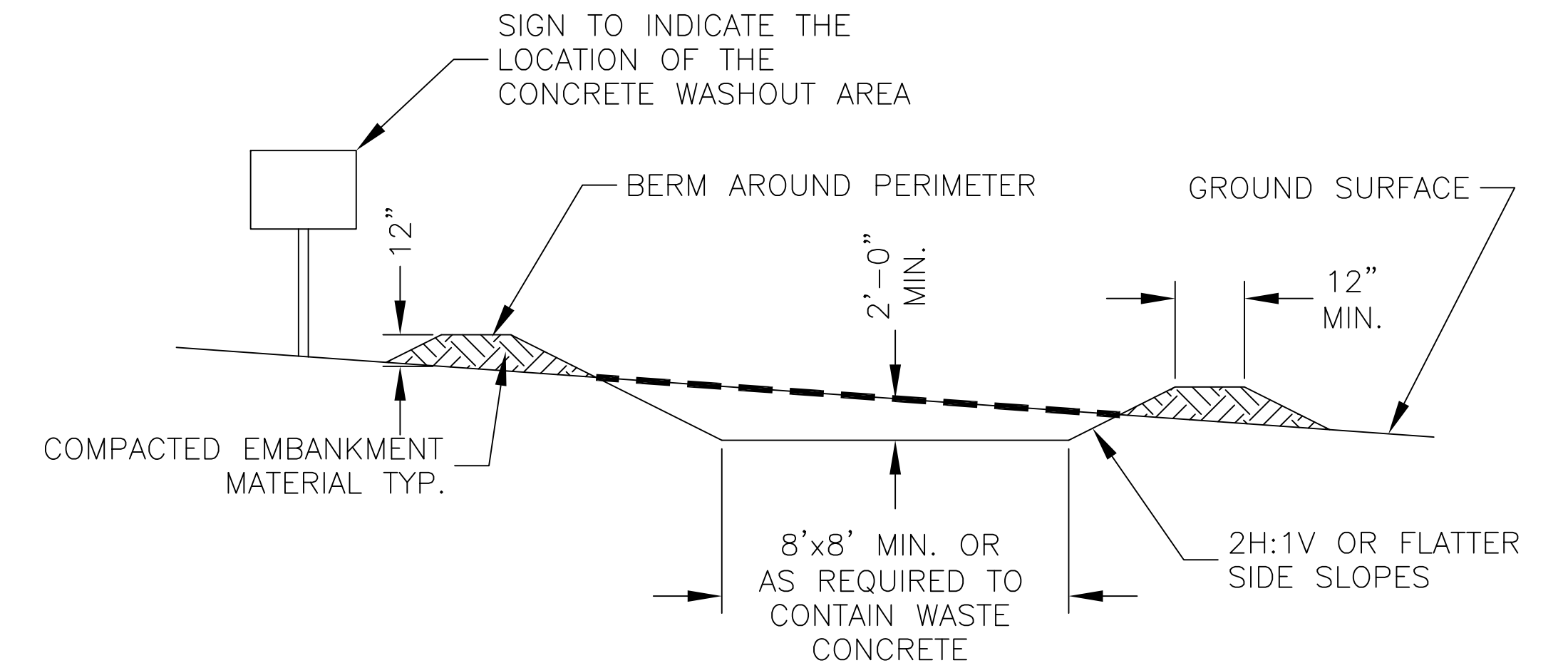


STANDARD DETAILS FOR
EROSION AND SEDIMENT CONTROL

DAVID P. CRONIN CITY ENGINEER
THOMAS M. MARKUS CITY MANAGER

GENERAL NOTES FOR SKIMMER DETAILS

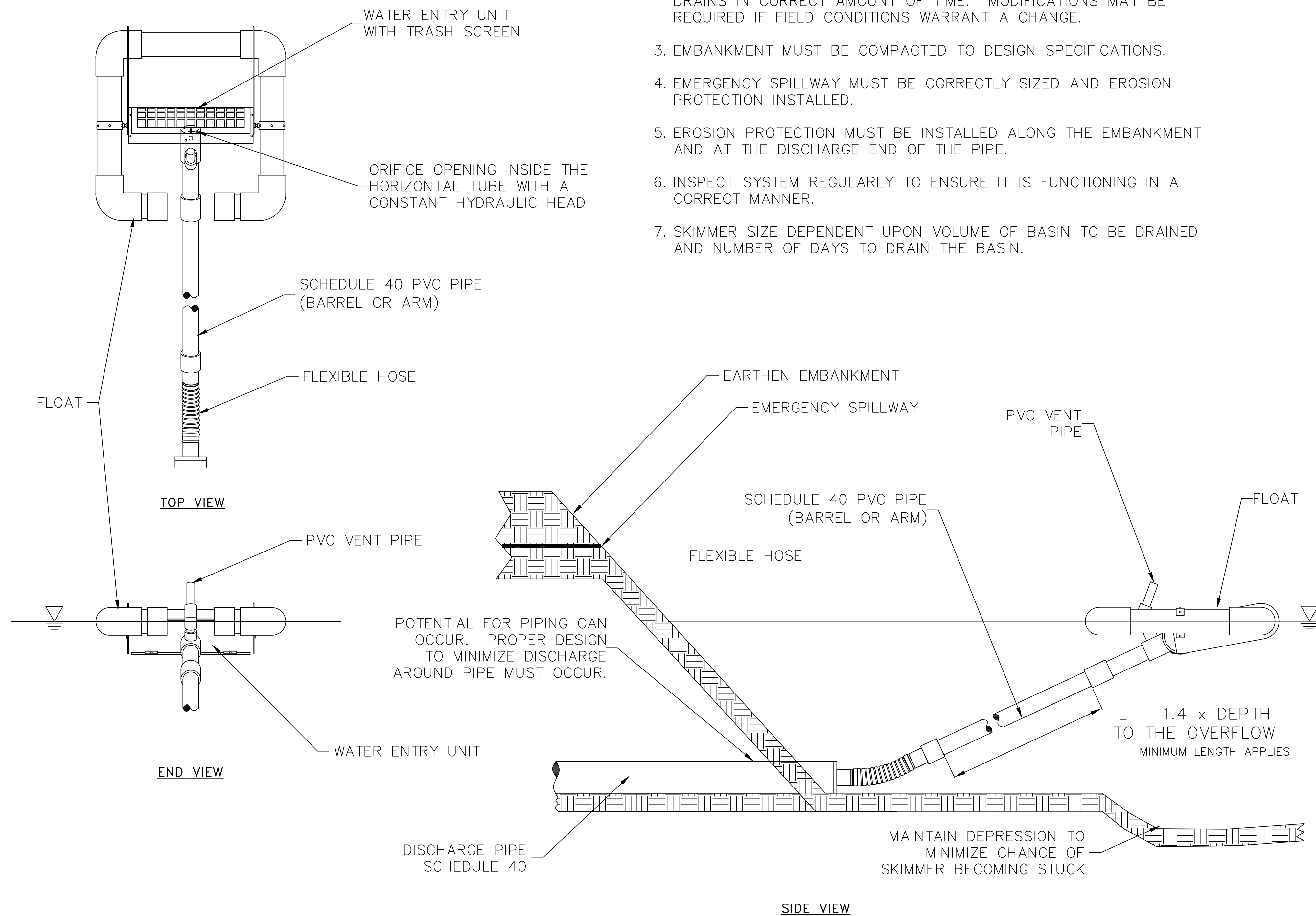
1. PROPER DESIGN MUST BE COMPLETED TO MINIMIZE PIPING AROUND DISCHARGE PIPE.
2. PROPER ORIFICE OPENING MUST BE SELECTED TO ENSURE POND DRAINS IN CORRECT AMOUNT OF TIME. MODIFICATIONS MAY BE REQUIRED IF FIELD CONDITIONS WARRANT A CHANGE.
3. EMBANKMENT MUST BE COMPACTED TO DESIGN SPECIFICATIONS.
4. EMERGENCY SPILLWAY MUST BE CORRECTLY SIZED AND EROSION PROTECTION INSTALLED.
5. EROSION PROTECTION MUST BE INSTALLED ALONG THE EMBANKMENT AND AT THE DISCHARGE END OF THE PIPE.
6. INSPECT SYSTEM REGULARLY TO ENSURE IT IS FUNCTIONING IN A CORRECT MANNER.
7. SKIMMER SIZE DEPENDENT UPON VOLUME OF BASIN TO BE DRAINED AND NUMBER OF DAYS TO DRAIN THE BASIN.



NOTES:

1. CONCRETE WASHOUT AREA SHALL BE INSTALLED PRIOR TO ANY CONCRETE PLACEMENT ON SITE.
2. SIGNS SHALL BE PLACED AT THE WASHOUT AREA AS NECESSARY TO CLEARLY INDICATE THE LOCATION OF THE CONCRETE WASHOUT AREA TO OPERATORS OF CONCRETE TRUCKS AND PUMP RIGS.
3. THE CONCRETE WASHOUT AREA SHALL BE REPAIRED AND ENLARGED OR CLEANED OUT AS NECESSARY TO MAINTAIN CAPACITY FOR WASTED CONCRETE.
4. AT THE END OF CONSTRUCTION, ALL CONCRETE SHALL BE REMOVED FROM THE SITE AND DISPOSED OF AT AN ACCEPTED WASTE SITE.
5. WHEN THE CONCRETE WASHOUT AREA IS REMOVED, THE DISTURBED AREA SHALL BE SEEDED AND MULCHED OR OTHERWISE STABILIZED IN A MANNER ACCEPTED BY THE CITY.

CONCRETE WASHOUT AREA
NOT TO SCALE



FAIRCLOTH SKIMMER® DISCHARGE SYSTEM WITH EMBANKMENT

2018 EDITION

SHEET ____ OF ____

DATE	BY	REVISION
03-13-18	LJM	REPLACES ALL PREVIOUS VERSIONS OF EROSION AND SEDIMENT CONTROL DETAILS
12-19-17	LJM	REPLACES ALL PREVIOUS VERSIONS OF EROSION AND SEDIMENT CONTROL DETAILS
03-21-17	LJM	REPLACES ALL PREVIOUS VERSIONS OF EROSION AND SEDIMENT CONTROL DETAILS
02-22-16	LJM	REPLACES ALL PREVIOUS VERSIONS OF EROSION AND SEDIMENT CONTROL DETAILS
03-17-15	LJM	NEW STANDARD DETAIL



STANDARD DETAILS FOR
EROSION AND SEDIMENT CONTROL

DAVID P. CRONIN CITY ENGINEER THOMAS M. MARKUS CITY MANAGER